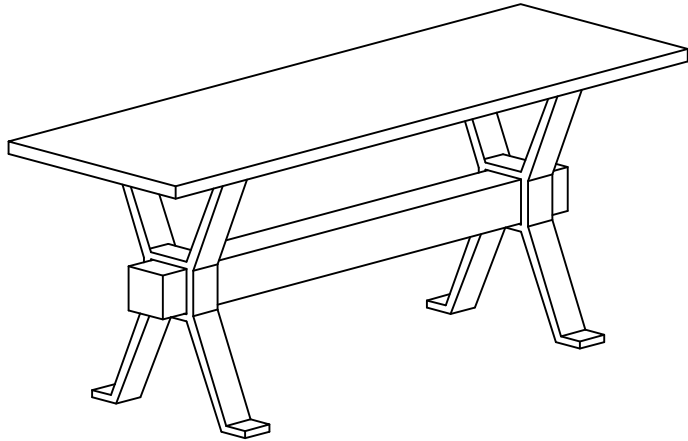


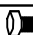
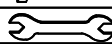


ASSEMBLY INSTRUCTION



NO.:	HARDWARE LIST	Q'TY
A	 25mm	10
B	 $\Phi 25\text{mm}$	12
C	 40mm	2
D		1

